



SMALL VOLUME BALER SERIES

Basic and functional baler series for making the best mill-sized bale in the most efficient way



Baling solutions driven by experience!

Overview:

It is **user-friendly, low cost and safe** a small volume channel shear baler series or optionally clearance baler with horizontal or optionally vertical wire tying which offers solutions to all small load operations requiring a fully automatic baler.

This baler series has short channel thus the installation requires minimum floor space. It has easier and cheaper construction, so these machines are suitable for less intensive work.

High specific pressing power provides a high compaction of the material and consequently an optimum full truck load.

Very competitively priced, quick return on investment.

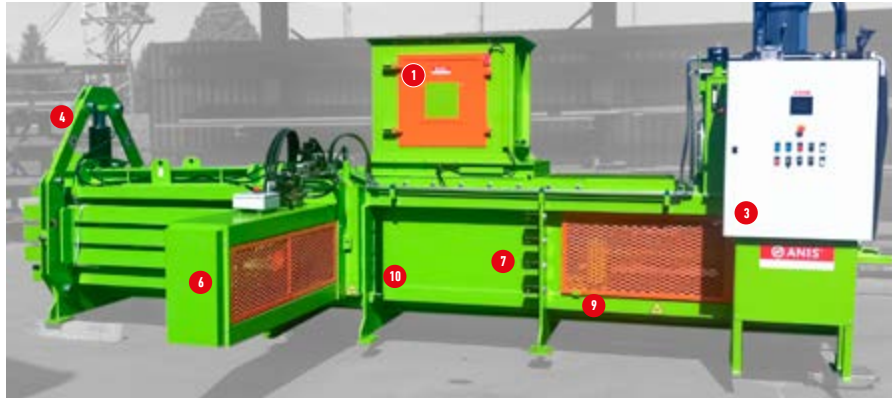
Machines are available with hopper sizes, feed openings and power units tailored to suit the application in hand.

- Sliding press ram on wearing plates
- Pressing force: 50 - 60 Tonnes
- Bale size: 750 × 750 mm and 1.100 × 750 mm
- Main hydraulic motor: 15, 22 or 30kW
- Feed opening 1000 mm and 1300 mm

Most Suitable for:

- Printers and cardboard-making plants, where material is air-fed, shredded or trimmed.
- This is the ideal baler for most grades of shredded paper, cardboard and packaging as well as other technical fibres.
- For plants that want to solve their own waste problem at the lowest cost.

Some Main Features:



1. FEEDING HOPPER

- Adapting hoppers for various conveyors, chutes, etc
- with lateral secured plexiglass door
- Tailor made baler hopper for automatic or manual feeding

2. POWER PACK

- Compact hydraulic power pack with energy-saving and noise-optimised main drive depending on requirements.
- Additional oil cooling system not usually required.
- Water protected according to legal consideration.
- Continuous oil filtering.



3. OPERATIONAL PANEL

Easy and safe operation by hand or by means of a multifunctional user-friendly Fatek intuitive touch screen with embedded recipe management and display with all necessary parameters.

4. PRESS CHANNEL WITH TENSION PRESS RAM

- automatic pressure-controlled channel adjustment on three sides guarantee high bale weights even with different materials.
- long enough channel to ensure high bale quality for low friction material.

5. SHEAR /CLEARANCE BALER (OPTION)

Ideal designed exchangeable knives with optimal cutting angels guarantee trouble free cutting of the overlaying material. (2 times the use of the cutting edge). Clearance baler is specially designed for »open materials« such as whole unfolded cardboard boxes or shredded paper.

6. AUTO TYING

- Optimal accessibility.
- Small coils fully integrated into the baler frame are usually used for tying wire stands so no additional space is required.
- Robust and reliable fully automatic tying system with needles and integrated wire cutter.
- Reliable hot-dip galvanized device for automatic tying of bales, reinforced mounted cutters, which results in a substantially improved cycle time.

7. PRESSING CHAMBER

Chamber bottom plate covered in replaceable highly resistant HARDOX wear plates, thus extending the life of the wear parts and reducing operating costs.

8. TRUNNION MOUNTED MAIN PRESS CYLINDER:

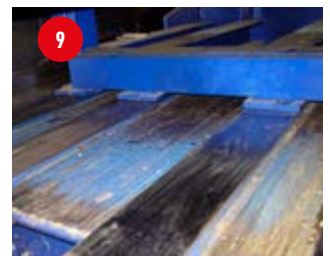
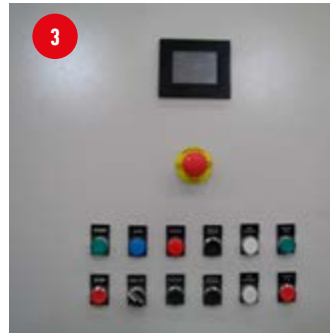
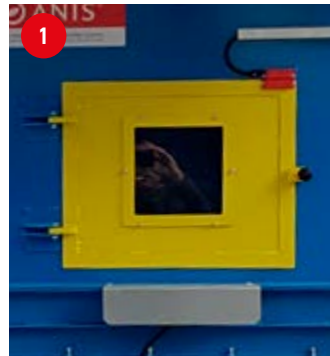
- Tension free mounted press cylinder to reduce inclined positions which prevents uneven pressure on the frame and cylinder
- Reduced wear on the pressing cylinder and press ram guides
- Longer service life of hydraulic cylinder

9. SLIDING PRESS RAM

- Solid press carriage guidance with easy maintenance access.
- Optimal self-cleaning of the track.
- Individually arranged movable rail cleaners.
- High-dimensioned sliding bearings.

10. PRESS SINGLE RAM

Quick and simple disconnecting of the press plate and the cylinder rod with the flange connection.



Additional equipment

SECURE NEEDLE SLOT COVERS

They prevent shredded material stuck into the wire slots (especially when baling MSW, RDF or tiny trims)". This guarantees problem-free binding.

- Secure press ram front flaps (cover caps)
- Hydraulic Needle slot sliding shield at horizontal tying
- Press plate with hydraulic needle slot closure at vertical tying



BALE EXIT DEVICE

Allows the bales to be quickly removed and stored ready for transportation.



BALER SAFETY

Modular baler key safety system:

- complies with the current EU Machinery Directive.
- includes the prevention of lock-in danger.



Extras:

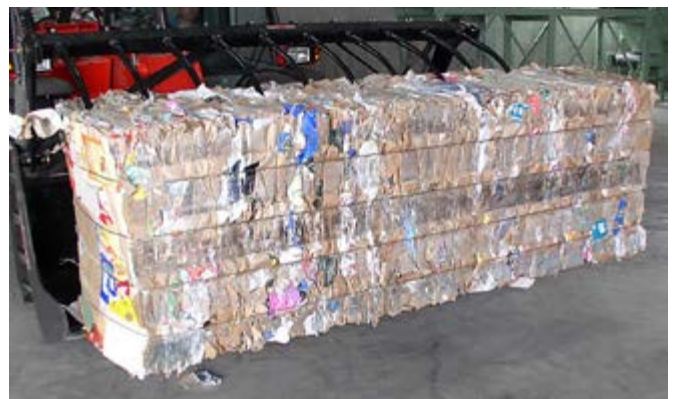
- Adaptable hoppers for various conveyors, chutes, etc.
- oil cooler and heater
- conveyor
- PROFINET diagnostics to meet the needs for maintenance engineering or plant supervising
- graphic display
- bale exit table

- longer baler channel
- consuls for 500 kg wire coils
- perforator and distributor
- key transfer system for increased operator safety
- special solutions for different material like foam, etc.

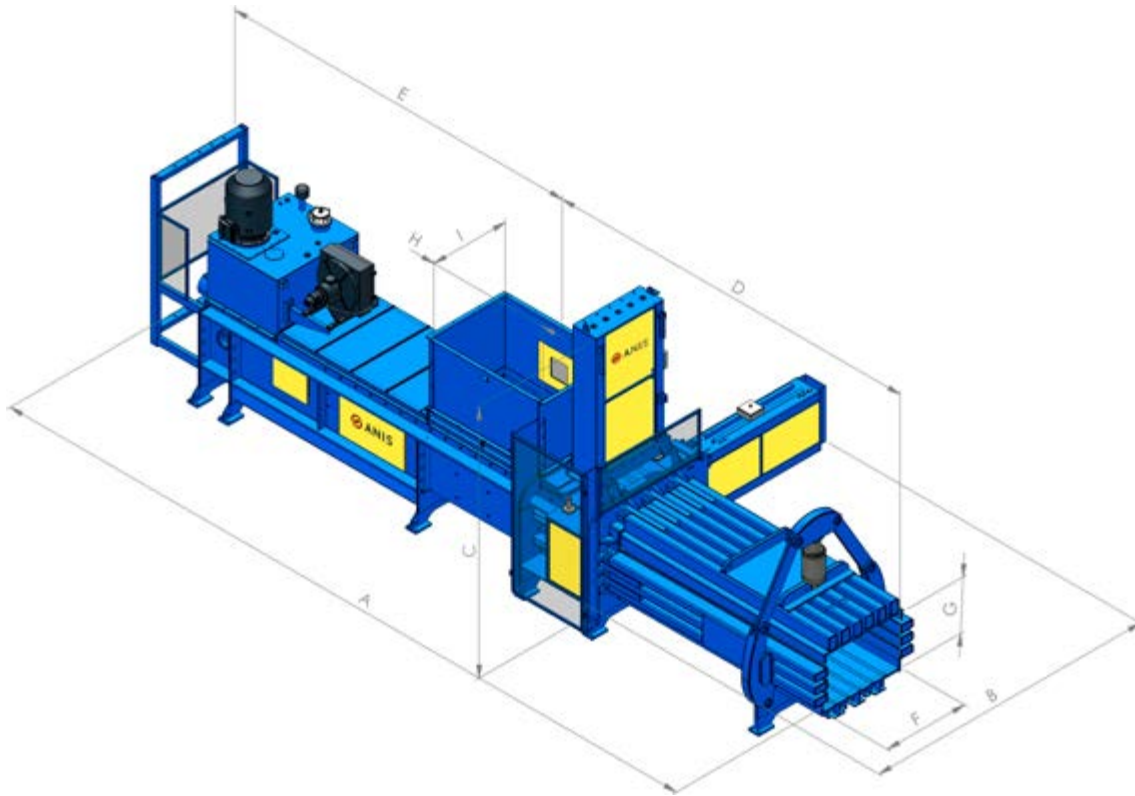
Depending on the purpose of use and your individual requirements, other function modules can be added to each baling press. **For more information about baler accessories go to: www.anis-trend.com, menu "BALER ACCESSORIES")**

High bale quality

- Optimal press results with heavy, evenly formed and easily stackable mill-sized bales.
- Option to switch off wire strapping manually.
- Performance rates, bale weights and bale densities are subject to moisture content, material pre-bale densities, feed rates and other variables in baling.



Technical data and measurements



LOW PRODUCTION VOLUME BALER SERIES		ATS 75-75K	ATS 75-75B	ATS 110-75B
Pressing Force	t (kN)	50 (492)	58 (572)	60 (572)
Spec. Pressure Force	N/cm ²	87	101	71
Press Chamber (Bale) size WxH	mm	750x750	750x750	1100x750
Hopper opening (LxW)	mm	1000x710	1300x720	1300x1040
Feeding Volume	m ³	0,6	0,8	1,1
Auto-tier Horizontal	H	Standard	Standard	Standard
Auto-tier Vertical	V	Optional	Optional	Optional
No. of wires	pieces	4	4	4
Ram		Sliding Ram	Sliding Ram	Sliding Ram
Bale Weight (OCC)	kg	320-530	350-570	430-720
EM Driving Power	kW	15	22	22
Press Cycle Time - No Charge	sec	27,3	30,5	30,5
Theoretical Capacity - No Charge	m ³ /h	76	89	126
PRESS CAPACITY (IN RELATION TO BULK WEIGHT)				
• Max. Capacity e.g. flattened OCC (30 kg/m ³)	t/h	1,8	2	3
• Max. Capacity e.g. shredded paper (50 kg/m ³)	t/h	2,5	3	4
Baler Weight (according to equipment)	ton	7	9	12

*Performance rates, bale weights and bale densities are subject to moisture content, material pre-bale densities, feed rates and other variables in baling. Technical and design modification reserved!

DIMENSIONS IN MM	A	B	C	D	E	F	G	H	I
ATS 75-75K-4H	6.000	3.400	2.150	3.200	2.800	750	750	1.000	700
ATS 75-75K-4V	6.000	1.650	3.600	3.200	2.800	750	750	1.000	700
ATS 75-75B-4H	8.500	3.500	2.250	4.700	3.800	750	750	1.300	700
ATS 75-75B-4V	8.500	1.650	3.600	4.700	3.800	750	750	1.300	700
ATS 110-75B-4H	8.600	3.900	2.250	4.800	3.800	1.100	750	1.300	1.040
ATS 110-75B-4V	8.500	2.000	3.600	4.800	3.800	1.100	750	1.300	1.040



Anis Trend, d.o.o., | Mali Log 2a, 1318 Loški Potok, Slovenia
T: +386 (0)1 837 00 20 | F: +386 (0)1 837 00 21
E: anis@anis-trend.com | W: www.anis-trend.com



All the activities in the company are organised in compliance with the ISO 9001 Quality System

