






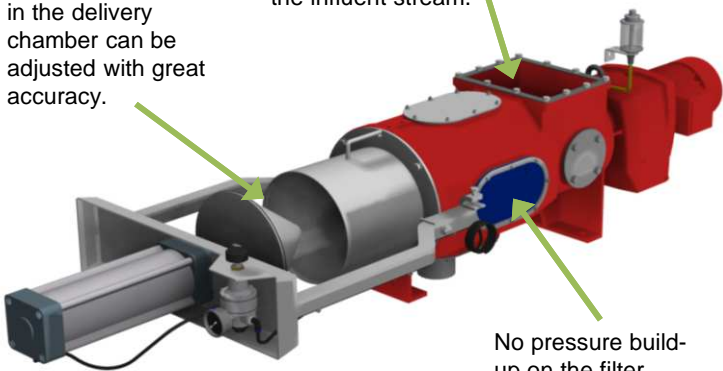
## MAS, filter and press

Since its introduction in 1998 the MAS screw compression filter has proven its worth. This machine is ideally suited for the controlled dewatering and separation of various liquid waste and residue flows from industrial, organic and agricultural processes. With the help of an internal screw and filter, the liquid effluent is transported through the MAS. The resulting dewatered product which can in many cases be stacked, exits the machine via the delivery chamber.

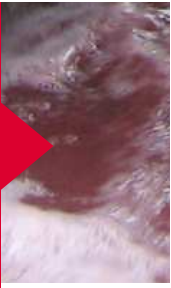





The back pressure in the delivery chamber can be adjusted with great accuracy.

Works already with a very low dry matter content in the influent stream.



No pressure build-up on the filter

- Smicon can deliver Machines inclusive of control, assembly, turnkey and service plan.

# MAS,

## Technical data



### Dimensions

Machine general (mm)	2417x405x550 (lxwxh)
Infeed (mm)	220x285 (lxw)
Outfeed effluent (mm)	Ø101,6
Outfeed fibres (mm)	Ø300
Transport dimensions (mm)	1410x610x830 (lxwxh)
Transport volume (m <sup>3</sup> )	A. 0,715
Clear zone (mm)	3017x1005x1360 (lxwxh)
Filter surface (cm <sup>2</sup> )	290
Filter mesh size (gap width µm)	150,250,500,750,1000
Filter mesh size: (Ø mm)	2,3,5,8,12

### Weight

Weight (kg)	370
Floor load (N)	1850 per feet (see □ ) static
Transport weight (kg)	400

### Drive

Power (kW)	1,5 or 2,2
R.p.m. shaft	24
IP rating	56

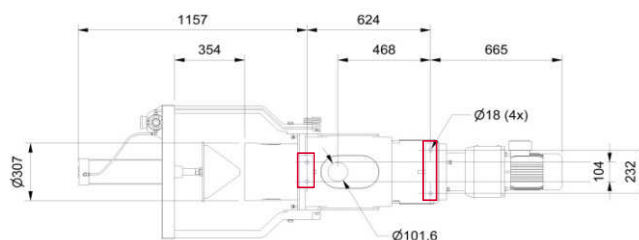
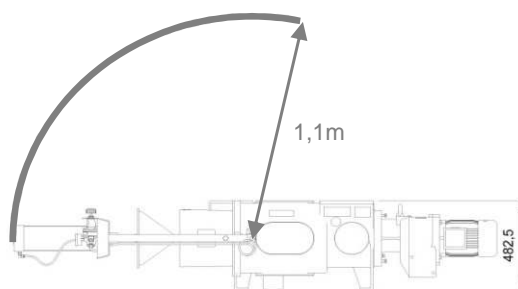
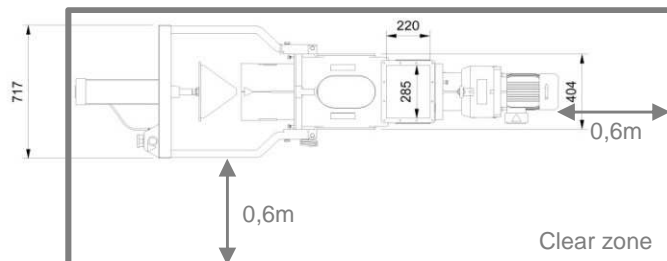
### Product information

Capacity (m <sup>3</sup> /hour)	0,5 – 15
Dimensions product (mm)	max. Ø50
Temperature product (°C)	0 – 70

### Other specifications

A-weighted sound pressure level (dB)	<70
C-weighted instantaneous sound pressure (dB)	<130

All data are without accessories and specifications depend on used products



### Accessoires



Infeed funnel



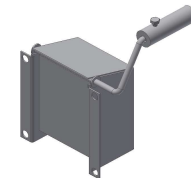
Frame 1



Frame 2



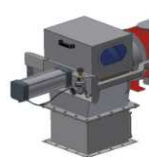
Chute



Signalling flap



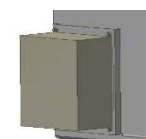
Filter key



Cover on chute



Automatic lubrication



Control



**smicon**  
ENGINEERING YOUR PROCESS