

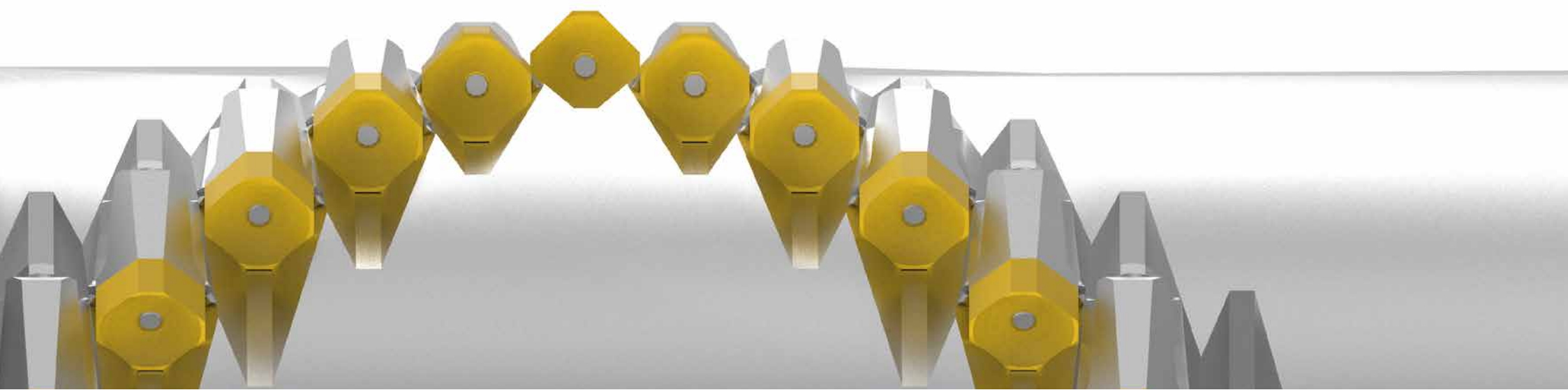
UNTHA

The reliable brand!



CR CLASS

1-shaft shredder for high performance requirements in material recycling



The power package for **high throughputs and complex demands**

The CR class was developed especially for complicated shredding tasks. It is particularly hard-wearing and able to cope with even the toughest environments. The unit is designed with flexibility in-mind to fulfil individual customer requirements. The combination of a high-performance UNTHA direct drive and the highly effective cutting system ensures maximum throughput.

Highly versatile

The CR class may be configured to suit individual requirements, from the pre-shredding of plastics that are difficult to process all the way to the processing of post-consumer waste compressed in bales. Different

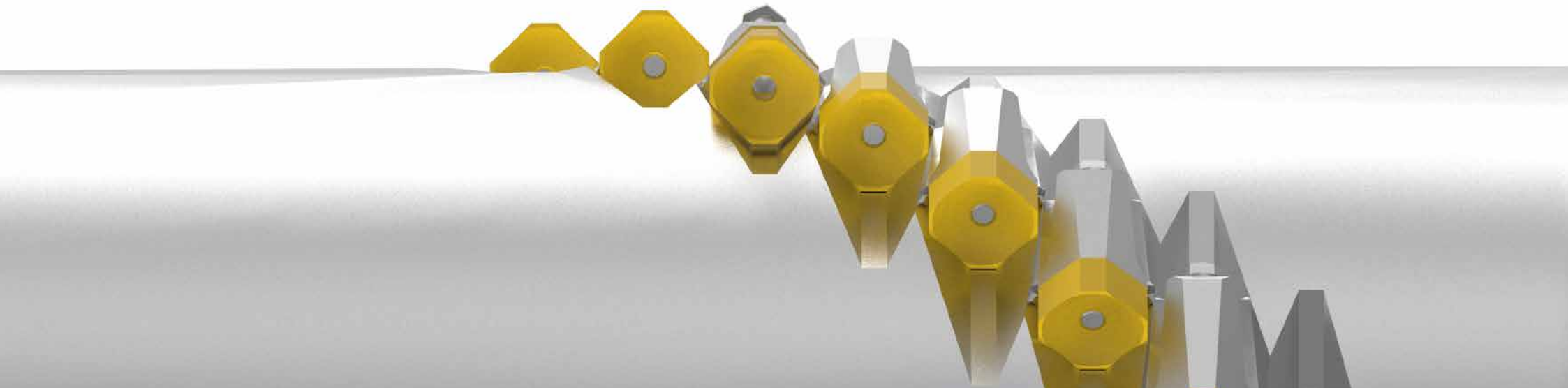
cutting systems and rated capacities as well as a range of technical options make the CR class suitable for universal use.

High-performance

A sturdy drive system with powerful, high-torque motors, including a safety coupling, ensures high-performance shredding. The cutting system with its versatile range of cutter configuration is highly effective and ensures high throughputs as well as particle sizing and quality. This makes the CR one of the most productive as well as profitable shredders in its class.

Outstanding reliability

In addition to the fail-safe power train, the sturdy construction of the machine ensures that even high loads and forces do not cause any damage. And if things get really tough – for instance, when the material to be shredded contains larger metal pieces – the machine is stopped immediately thanks to the integrated safety coupling. Any potentially unshreddable material may then be removed speedily and easily via a discharge system, reducing downtimes to a minimum.



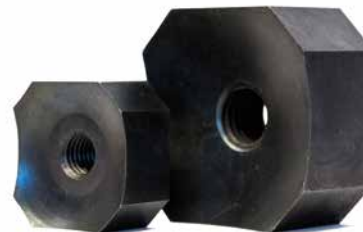
The **perfect cutting system** for every application

F-Cutter cutting system (FC)

Depending on the material and the desired particle sizing, the CR class offers a range of cutter sizes and designs. This means that fraction sizes from 25 mm to 80 mm may be achieved.

Speedy exchange of cutters and high level of availability

- » Indexable inserts may be reversed up to 4 times
- » Cutting bar may be reversed up to 4 times
- » Cutter sizes: 40x40 mm/60x60 mm
- » High level of availability: 5-7 times higher with tooling steel and carbide plates



tooling steel



tooling steel and carbide plates

Applications



Plastic bales



Agricultural films



Production waste



Mixed rigid plastics



Plastic film

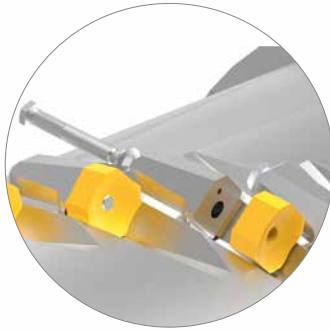


Waste wood etc.

Your benefits at a glance

Versatile feed hopper

Available in two versions: 3-sided hopper for loading with a front-end-loader. 4-sided hopper for increased filling volumes and loading with material handlers, grabs or conveyors.



Effective cutting system

The cutting system always provides reliable material processing and a perfect shredding result in any of the available designs. Different cutter sizes guarantee a homogeneous particle size or higher throughputs.



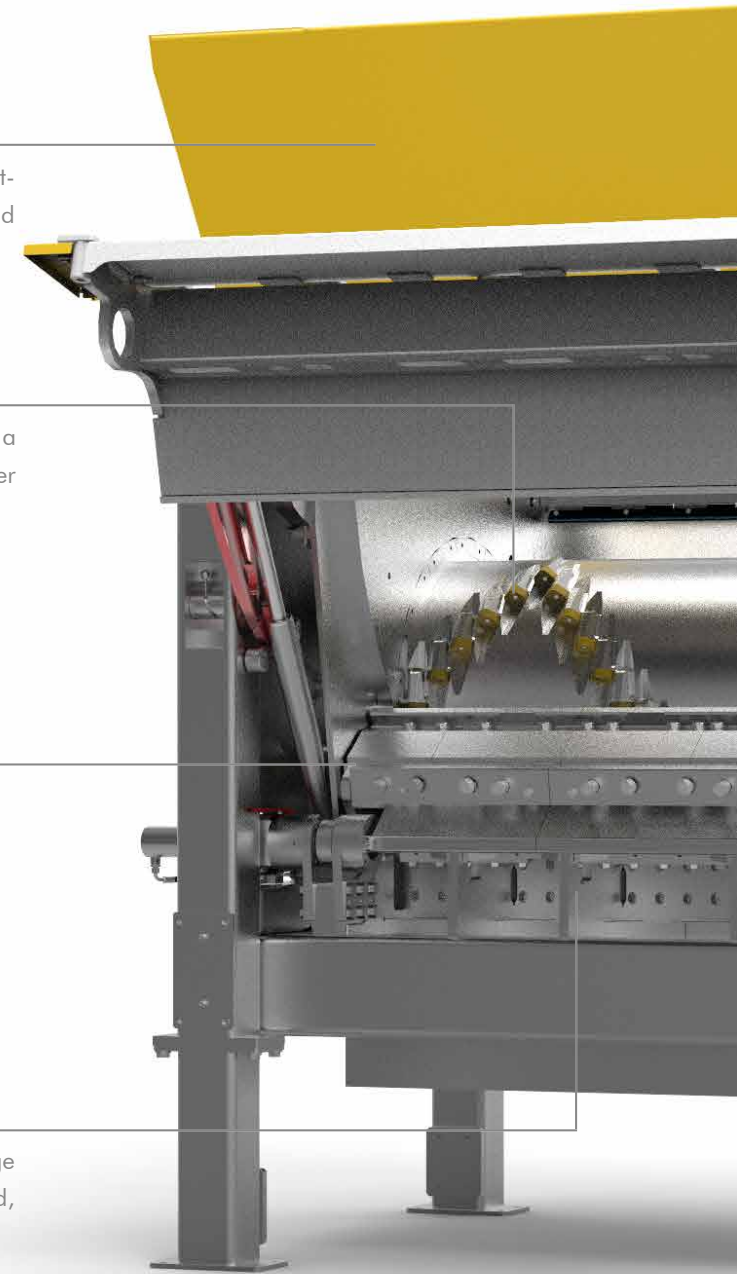
Highly user- and maintenance-friendly

The units are operated via a 7" colour touch display with an intuitive, user-friendly menu. All machine components are ergonomically designed and easy to access.

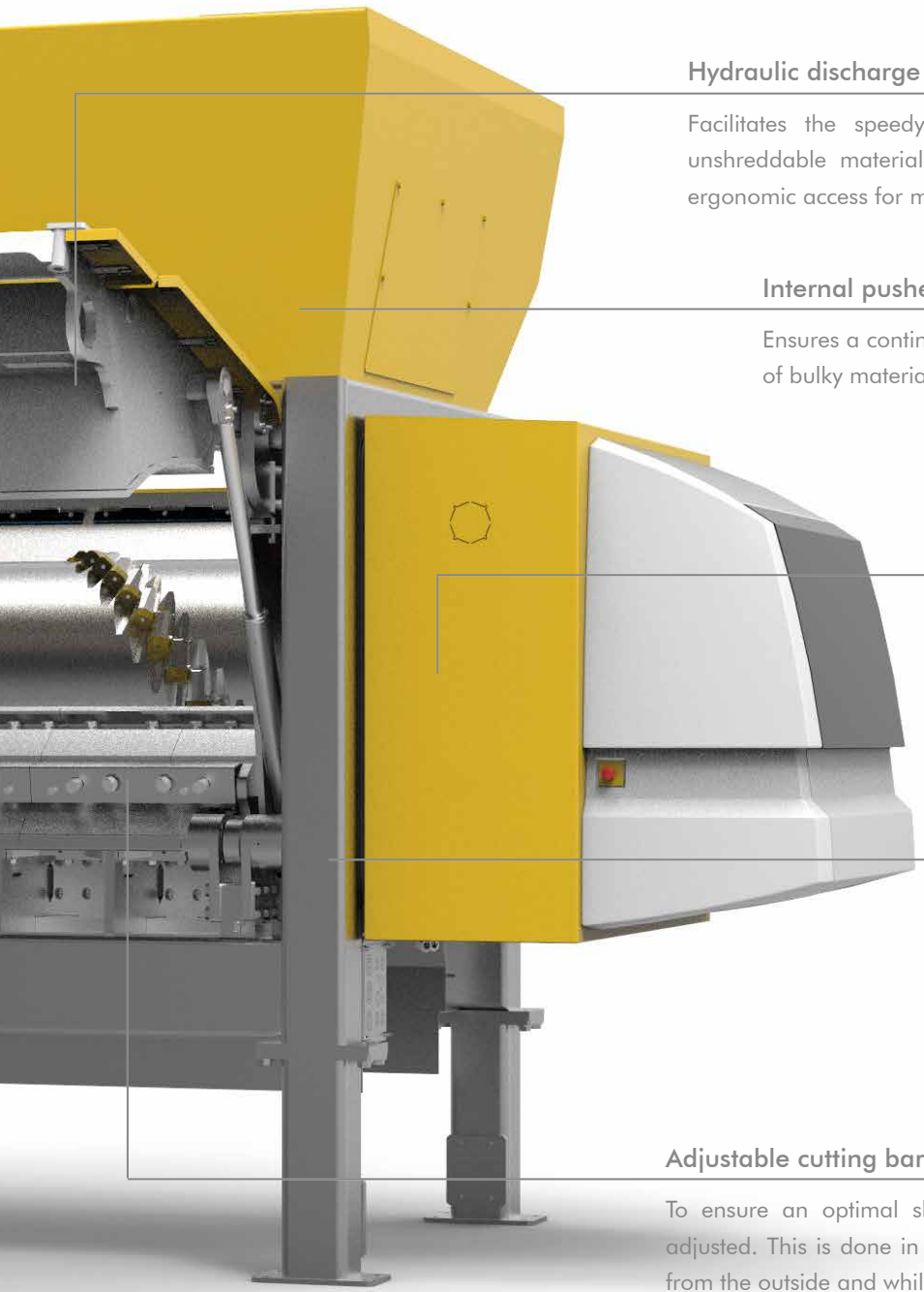


Configurable fraction size

Depending on individual customer requests, a range of perforated screens is available, ensuring a defined, homogeneous fraction size.



Sample picture



Hydraulic discharge system for difficult-to-shred material

Facilitates the speedy, straightforward removal of potentially unshreddable material from the cutting chamber and provides ergonomic access for maintenance.



Internal pusher system

Ensures a continuous feed-in and facilitates the processing of bulky materials and bales.

Fail-safe power train concept

The reliable power train concept consists of a high-performance asynchronous motor, a low-maintenance coupling and a planetary gear that is integrated in the rotor. The direct drive reduces wear and maintenance costs as it eliminates the need for a belt.



Robust steel frame construction

Torsion-resistant, solid profile tubes are ideal for tough operating conditions and low-vibration operation. Thanks to its compact design, the unit is easy to integrate in existing facilities.

Adjustable cutting bar

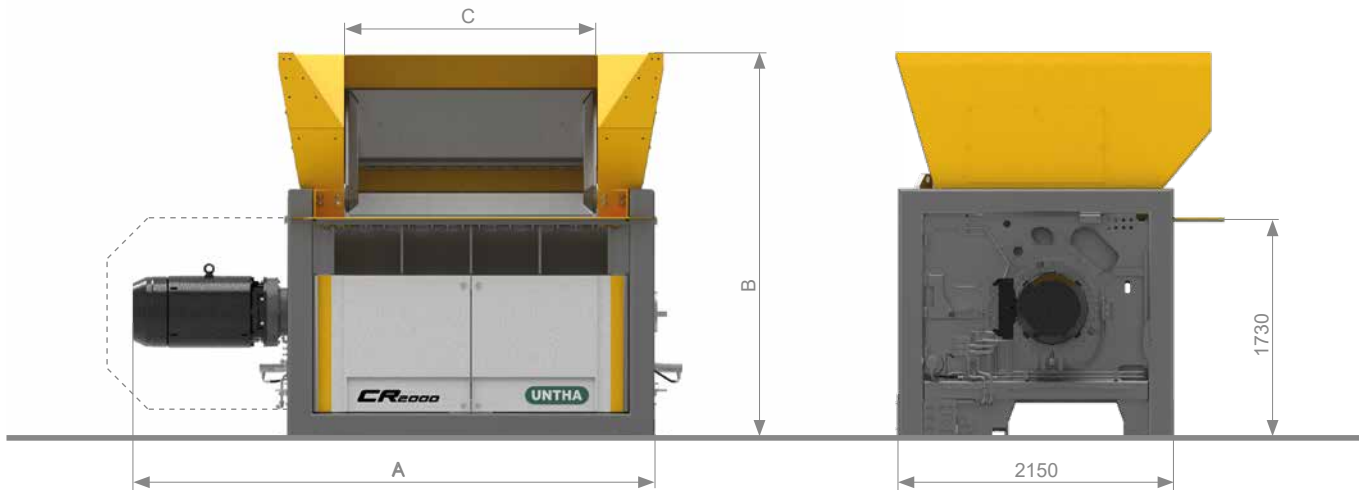
To ensure an optimal shredding result, the cutting gap may be adjusted. This is done in a straightforward and ergonomic process, from the outside and while the maintenance flap is closed.





CR CLASS

1-shaft shredder



SPECIFICATIONS		CR2000
Drive power	kW	75/90/110/132
Rotor speed	rpm	0 - 103
Rotor length	mm	2,000
Rotor Ø	mm	1,000
Weight	t	appr. 18

	CR2000
A	4,080
B	3,045
C	1,980

All dimensions in mm.
sample picture

Options

Special Equipment

- » **Screen quick-change system:** Simple and time-saving one-man screen change
- » **Central lubrication system:** Enables longer maintenance intervals and reduces the servicing required
- » **Hard-facing rotor:** Significantly increases the rotor service life with abrasive materials
- » **Filling level monitoring:** Optimum utilization due to a controlled filling level
- » **GRP cover for the drive unit:** Protects the drive unit from contamination and falling material

Services

- » **UNTHA GENIUS:** Intelligent assistance system for the shredding machine

Accessory

- » **Machine foot or pedestal:** Sturdy steel construction for individual integration
- » **Closed hopper:** For large volumes

UNTHA shredding technology GmbH

Kellau 141/ Salzburg, Austria
A-5431 Kuchl
Tel.: +43 6244 7016 0
Fax: +43 6244 7016 1
info@untha.com
www.untha.com

UNTHA Deutschland GmbH

Am Hammersteig 5a
D-97753 Karlstadt
Tel.: +49 9353 906869-0
Fax: +49 9353 906869-35
info@untha.de
www.untha.de

UNTHA UK Ltd.

Excel House, Becklands Close
Boroughbridge
YO51 9NR
Unite Kingdom
Tel.: +44 845 4505 388
Fax: +44 845 4505 389
sales@untha.co.uk
www.untha.co.uk

UNTHA America, Inc.

1 Lafayette Road, Building 4
Hampton, NH 03842
Tel.: +1 603 601 2304
Fax: +1 603 601 7573
info@untha-america.com
www.untha-america.com

UNTHA Polska Sp. z o.o.

Olecka 23/221
04-980 Warszawa / Polska
Tel.: +48 12 6421896
Fax.: +48 12 6421896
info@untha.pl
www.untha.pl

UNTHA Ibérica S.A.

Polígono de Sigüeiro - Parcela 58, Sigüeiro - Oroso / A
Coruña / España
Tel.: +34 981 69 10 54
Fax: +34 981 69 08 78
info@untha-iberica.com
www.untha.es

5 reasons to choose UNTHA



Customised, long-lasting shredding solutions



Premium quality products and services



All-encompassing expertise, from development to production, under one roof



Reliable customer service with the best technical know-how



More than 10,000 satisfied reference customers worldwide

We deliver what we promise

Since our founding in 1970, we've followed our promise of being "the reliable brand", which applies to every product and service that UNTHA delivers.

We work hard to consistently outperform our competitors, and provide customers with the confidence that – in choosing UNTHA – they have made the best decision for their business.