



smicon

improve the process

improve the future

DEPACKAGING



BS260

The Smicon BS260 Soft Belt Separator can be used as a stand-alone depackaging machine. This BS260 is extremely suitable for removing food from their packaging on a smaller scale and in batch wise series. Most suitable is moist food products in plastic packaging. Furthermore, the belt separator can crush unpacked moist organic matter. In addition to the function as a stand-alone depackaging machine, the soft belt separator purifies the organic output of the SMIMO-machines even further for a cleaner organic output of your process.



- ▶ Electric control panel ▶ Belt can be changed easily ▶ Easy access for cleaning and maintenance
- ▶ Evenly applied and adjustable pressure from the pressure roller on the drum



EINLASS
ORGANISCHES
PRODUKT MIT
VERPACKUNG



AUSLASS
VERPACKUNG
UND
ORGANISCHER
FLUSS

BS260

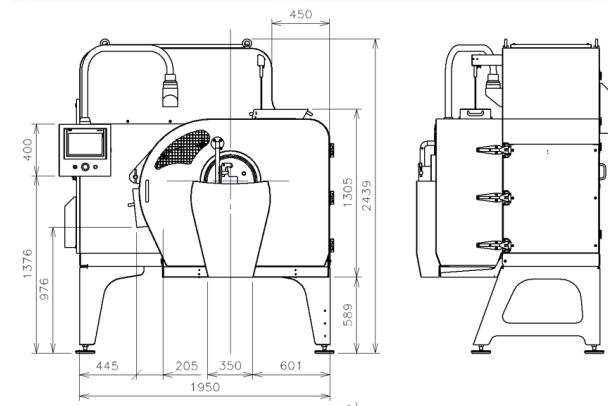
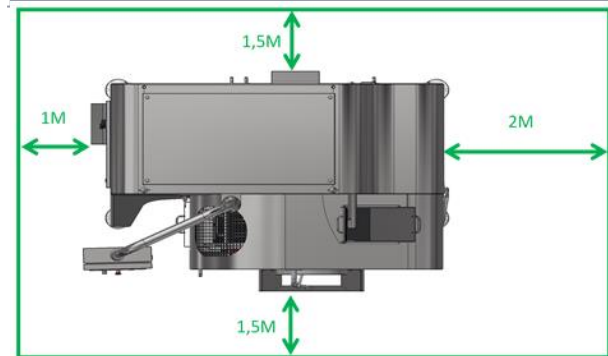
TECHNICAL DATA

Dimensions	
Machine general	2100x1500x2500 mm (LxWxH)
Infeed	400x235 mm (LxW)
Outfeed (packaging)	340x280 mm (LxW)
Outfeed (organic product)	350x150 mm (LxW)
Total sieving area	0,33 m ³
Transport dimensions	3050x1700x2700 mm (LxWxH)
Transport volume	14 m ³
Clearance area	5100x4500x3500 mm (LxWxH)
Weight	
Weight	3000 kg
Floor load per foot	16 kN
Floor pressure	13,5 kg/cm ²
Transport weight	3500 kg
Drive	
Power including all options	11 kW
Main drive	7,5 kW
Hydraulic power unit	1,5 kW
TSD infeed conveyor - optional	1,1 kW
TSE infeed conveyor - optional	1,1 kW
TSE discharge conveyor / pump - optional	1,1 kW
IP rating	IP66
Control	
Screen	12,1" Touchscreen
Available languages	English/German/Dutch
Product information	
Max. capacity	15 m ³ /hour
Product temperature	1-70 °C
Other specifications	
A-weighted sound pressure level	<70 dB
C-weighted instantaneous sound pressure	<130 dB

Technical data is specified according to the machine without accessories

Accessories	
Discharge conveyor/pump	Discharge conveyor packaging
Infeed conveyor	Drip tray

Clearance and illustrations



Tel: +45 74 56 81 06 • www.retec.dk