



# smicon

improve the process

improve the future

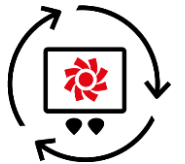


**GRINDING**



**SMIMO30**

The rotor inside the SMIMO grinder pulverizes organic products into a homogeneous pulp which is suitable for pumping. A sieve inside the grinder ensures that the product is only discharged once the particles have the required size. The noise level can be reduced by an acoustic cover (if necessary). Parts can be easily exchanged and the grinder is very resistant to aggressive products and substances.



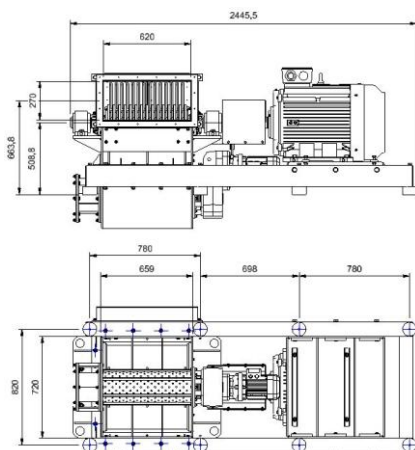
- ▶ Resistant to aggressive products and substances
- ▶ A sieve inside the grinder ensures that the product is only discharged once the particles have the required size
- ▶ Made from stainless steel



# SMIM030

## TECHNICAL DATA

Dimensions	
Machine general	2760x1055x1140 mm (LxWxH)
Infeed	620x276 mm (LxW) (side infeed) 4" (top infeed)
Outfeed	628x700 mm (LxW)
Transport dimensions	2760x1055x1300 mm (LxWxH)
Transport volume	3,4 m <sup>3</sup>
Clear zone	4260x2655 mm (LxW)
Sieve mesh size	Ø3,Ø5,Ø15,Ø20,Ø25,Ø30 or □5 mm
Weight	
Weight	1900 kg
Floor load	5 kN (per bearing surface)
Transport weight	1900 kg
Drive	
Power	55 up to 90 kW
RPM shaft	1500 RPM
IP rating	IP56
Product information	
Capacity	1-100 m <sup>3</sup> /hour
Temperature product	1-70 °C
Other specifications	
A-weighted sound pressure level	88 dB
C-weighted instantaneous sound pressure	<130 dB
All data are without accessories and specifications depend on used products	
Illustrations (side infeed)	



Accessories	
Frame with/without tank	Acoustic cover
Splash chute	Service box
Clearance area and illustrations (top infeed)	

